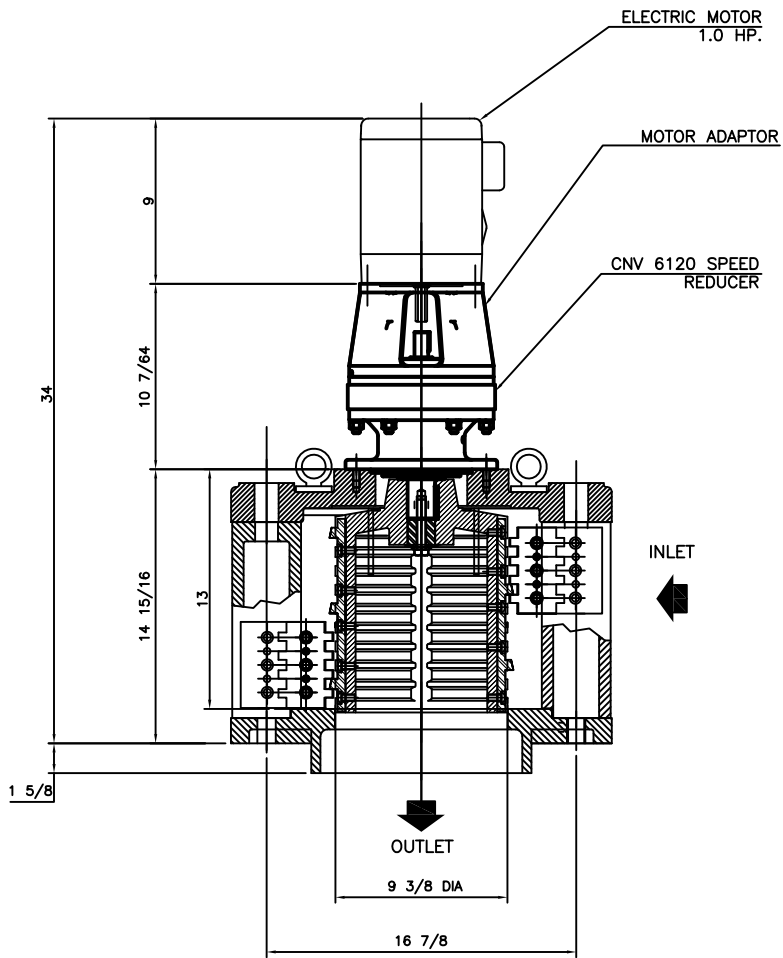
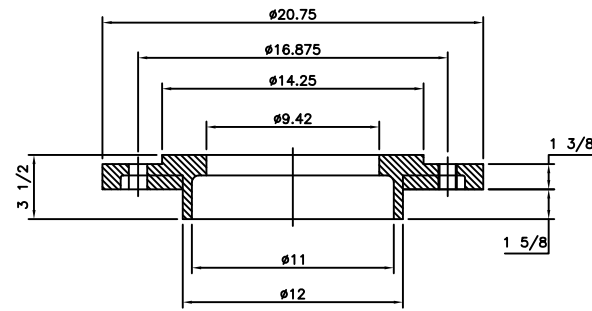


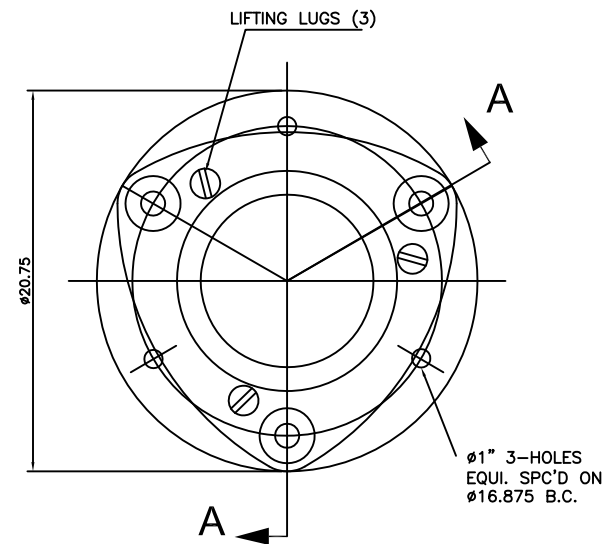
MODEL 10 L
STANDARD COMMINUTOR
SERIAL No. - _____



SIDE VIEW



BASE RING DETAIL



TOP VIEW
COVER PLATE

MATERIALS OF CONSTRUCTION & GENERAL ENGINEERING DATA

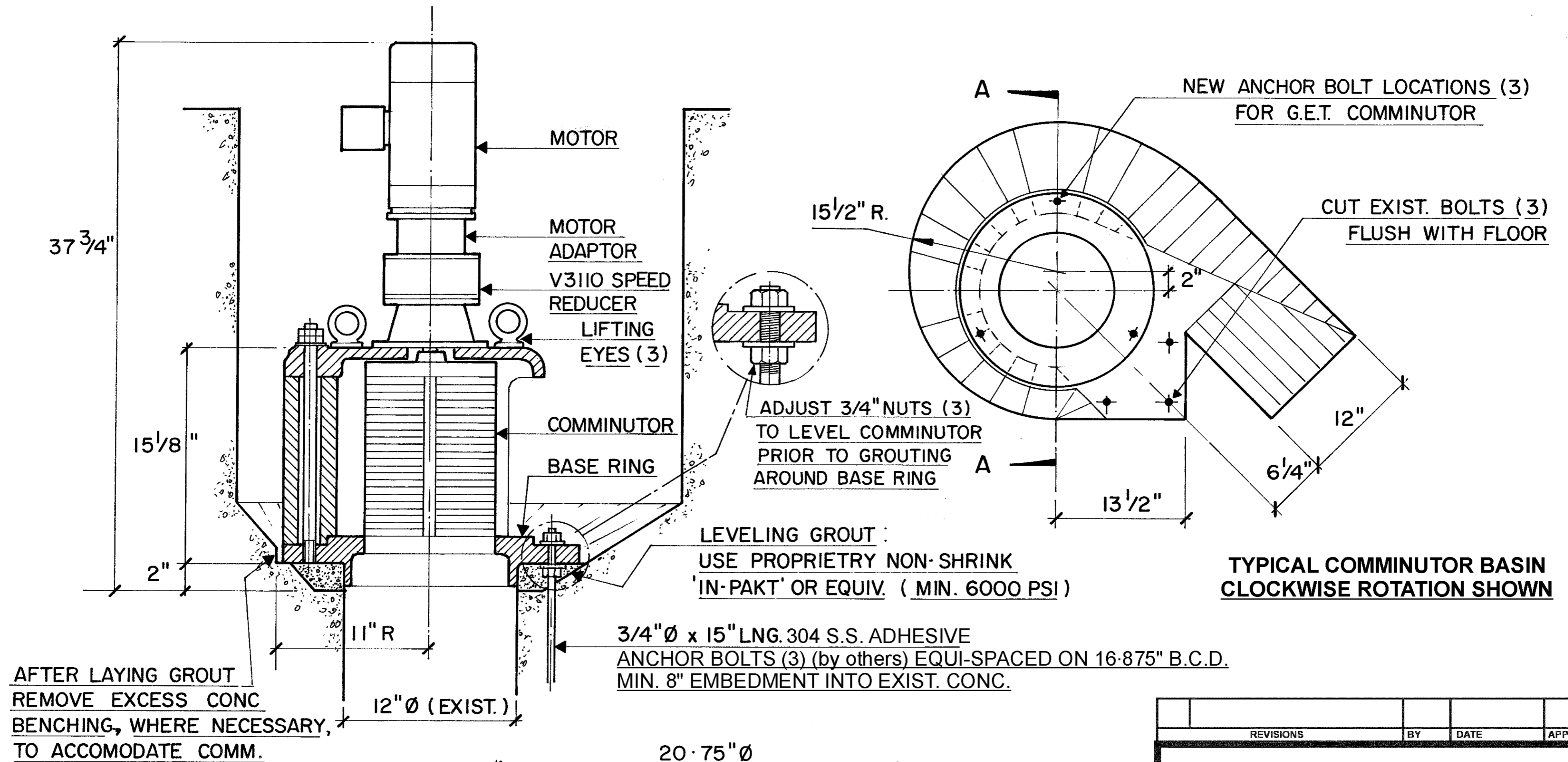
HOUSING:	GREY IRON	CAPACITY	1.2 MGD (US) / 4500 m3/day	INLET AREA	97 SQ IN	626 cm sq
DRUM (SCREEN):	DUCTILE IRON (ASTM 536 GRADE 60-45-18)	DRUM SPEED	50 RPM	OUTLET AREA	45 SQ IN	290 cm sq
SHEAR BARS:	AISI-A2 HIGH ALLOY TOOL STEEL	ROTATION	CLOCKWISE	DRUM DIAMETER	9.4 IN	23.9 cm
CUTTING BARS:	AISI-01 TOOL STEEL REVERSIBLE	SLOT WIDTH	.470 IN / 12 mm	WEIGHT	400 LB	181 kg
HARDWARE & FASTENERS:	304 STAINLESS STEEL	No. OF SLOTS	36			
MOTOR MANUFACTURER:		POWER: --- / ---	RPM: 1750	REDUCER: SM - CYCLO	MODEL: V6120	
STYLE: TEFC	HP: 1.0	KW: 0.746	FRAME: 56C	FLANGE: 'C'	RATIO: 35:1	RATING: 4.27 HP

G.E.T. INDUSTRIES INC.
get@grindhog.com
www.grindhog.com
1 (877) 213-7418

TOLERANCES	INFO	SCALE	NTS
DECIMAL		DRAWN BY	G.P.
FRACTIONAL		APPROVED BY	W.D.M.
ANGULAR		DATE	FILE NO.
			6 0170

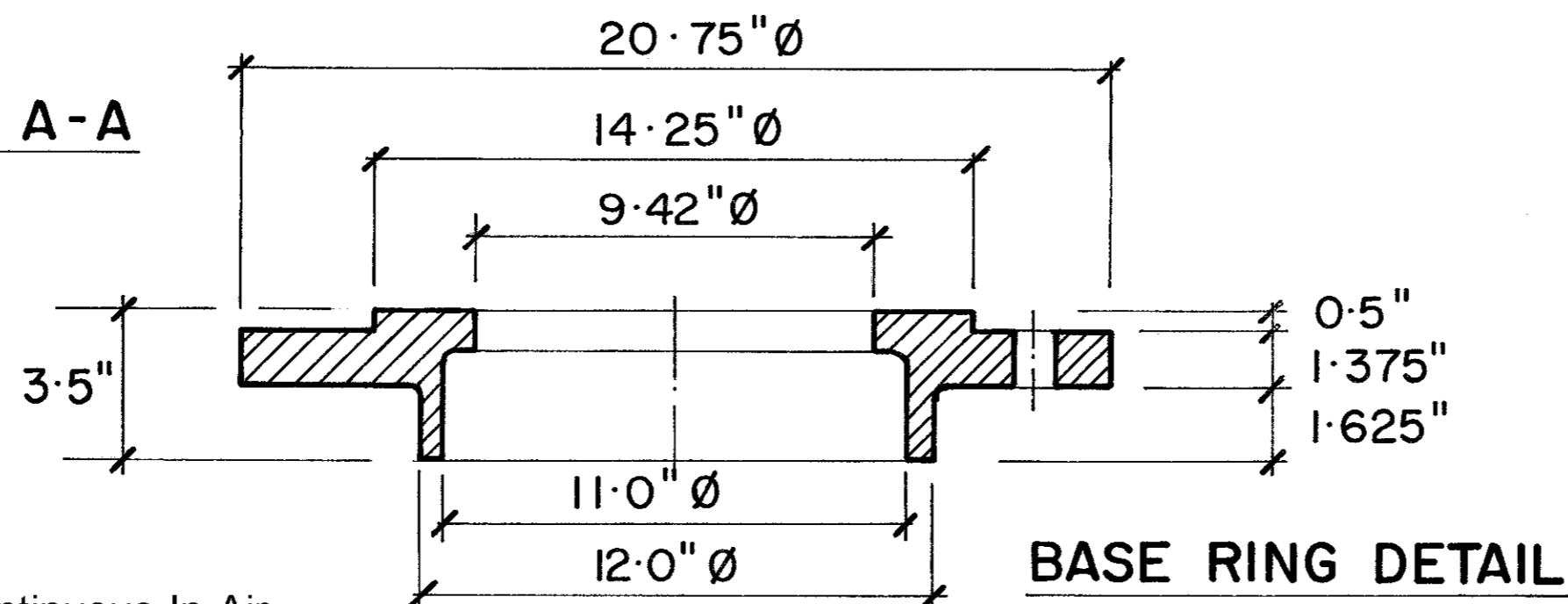
Grind Hog MODEL 10L (CAPACITY: 1.2 USMGD)

REPLACEMENT OF CHICAGO PUMP MODEL 10C



COMMUNUTOR WEIGHT :
400 LB (181 KG)

- 10L - TEFC
- 10LS - Immersible
- 10LSX - Submersible, Explosion-proof, Continuous-In-Air



REVISIONS		BY	DATE	APP.
 G.E.T. INDUSTRIES INC. (877) 213-7418 www.grindhog.com				
TOLERANCES		SCALE		
±	DECIMAL	DRAWN BY		
±	FRACTIONAL	APPROVED BY		
±	ANGULAR			
DATE	PROJECT NO.	DRAWING NO.	REV.	
		9 0020		



RETROFITTING CHICAGO PUMP COMMINUTORS



All models... All installation arrangements





CHICAGO PUMP COMMINUTOR Retrofit Questionnaire



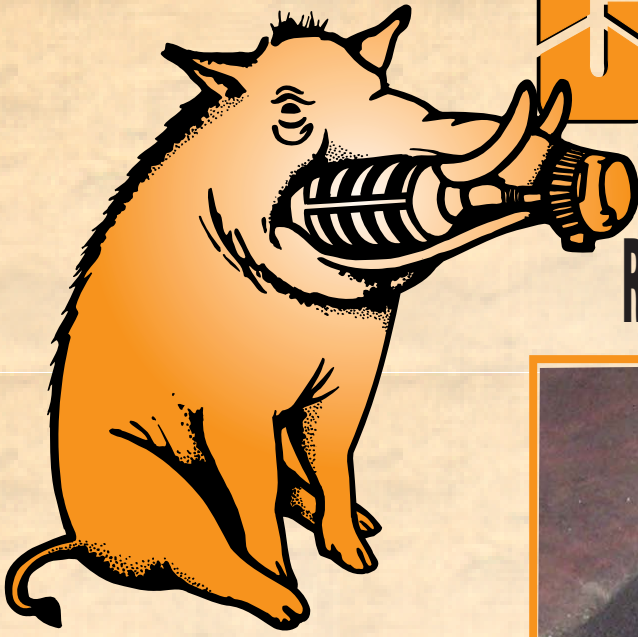
- Model of existing unit
- Existing characteristics of power supply
- Drive arrangement - close coupled, support column - elevated drive
- Photos of current installation
- Desired capacity (gpm) of replacement unit
- Dimensional detail of structure.... (i.e. free discharge or controlled discharge)
- Details of existing Control Panel (if any)
- Distance of the high water mark above the basin floor



G.E.T. Industries Inc.

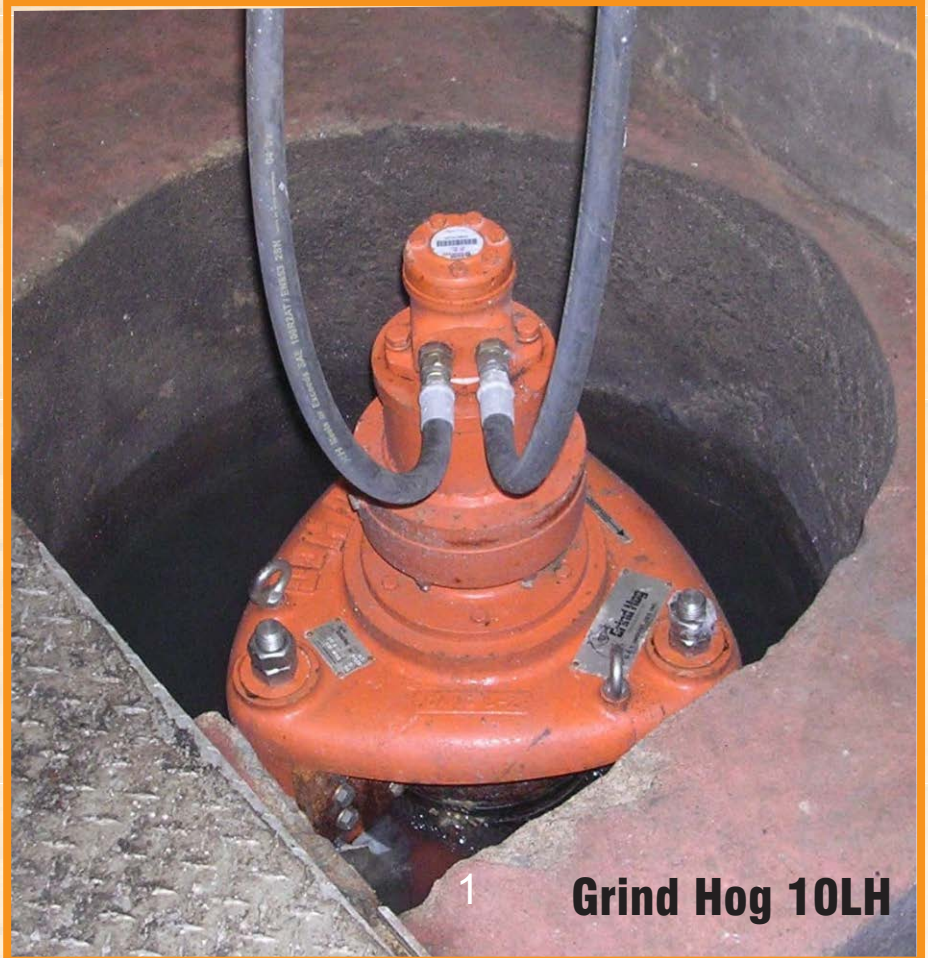
T: 877-213-7418 / www.grindhog.com

Grind Hog^{T.M.}



Replacement of Existing Chicago Pump 10C

Hydraulic Unit



1 Grind Hog 10LH



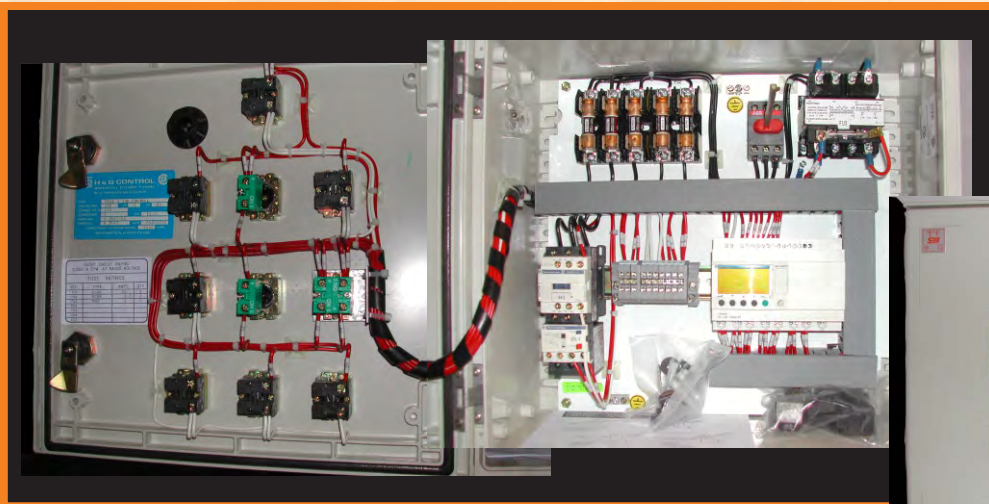
**Grind Hog™ 10LH
Prior to Shipment & Installation**



Hydraulic Power Unit



Grind Hog™ Controller Front & Inside Panel



G.E.T. INDUSTRIES INC.

Toll Free: (877) 213-7418
E-mail: get@grindhog.com ♦ Web: www.grindhog.com

Grind Hog™

TM.



GRIND HOG™ 10L
Retrofitting Chicago Pump 10C



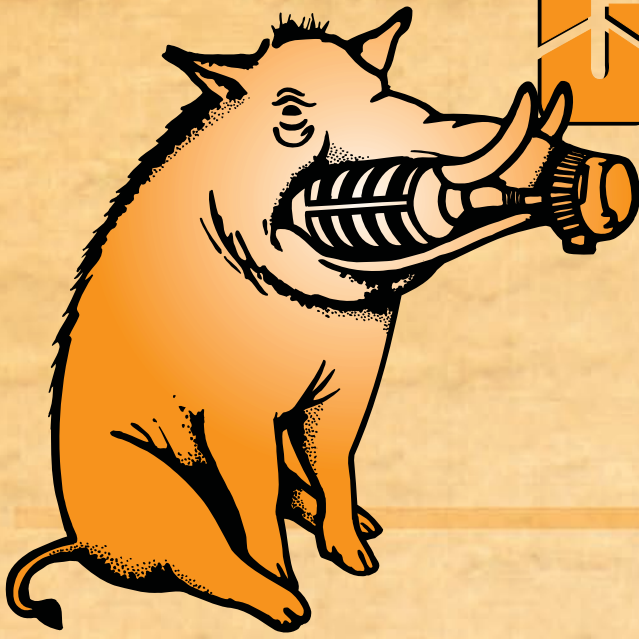
RETROFIT

**Using Existing Channel Installed
GRIND HOG™ 10L**



**Previous
Chicago Pump 10C**





Grind HogTM



INSTALLING GRIND HOGTM 10L

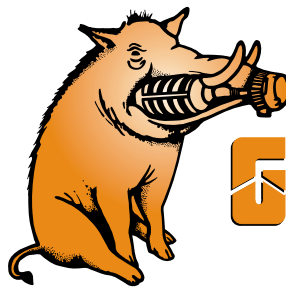
EXISTING CHICAGO PUMP 10C



G.E.T. INDUSTRIES INC.

Toll Free: (877) 213-7418

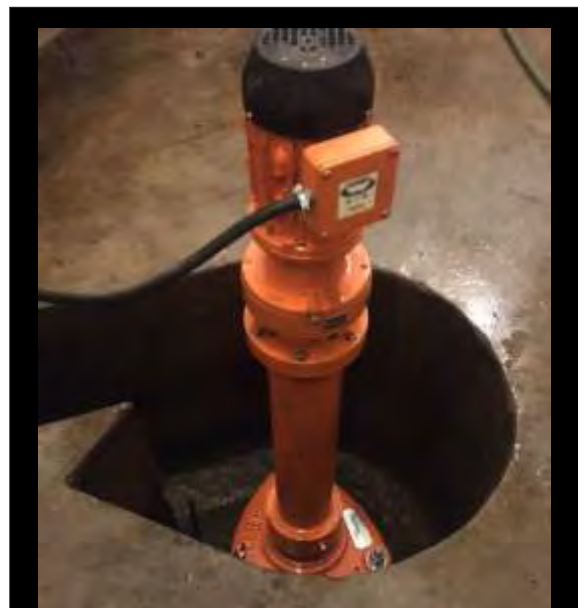
E-mail: get@grindhog.com ♦ Web: www.grindhog.com



Grind Hog™

**LAKE RAYSTOWN RESORT
Entriken, PA**

**GRIND HOG™ 10L M/C
Replacing
Chicago Pump 10C**



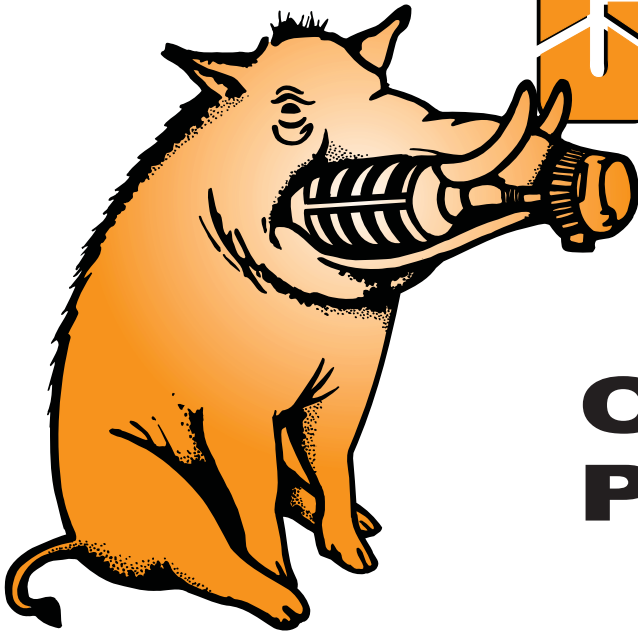
Previously Installed
Chicago Pump 10C

Existing Basin



G.E.T. INDUSTRIES INC.

Toll Free: (877) 213-7418 E-mail: get@grindhog.com Web: www.grindhog.com



Grind HogTM

**BOROUGH
OF PALMYRA
Pennsylvania**

MAIN PUMP STATION - MODEL 10LH A/C



Replacing Chicago Pump Model 10C

MODEL 10LH A/C



HYDRAULIC POWER UNIT



CONTROLLERS



G.E.T. INDUSTRIES INC.

Toll Free: (877) 213-7418

E-mail: get@grindhog.com ♦ Web: www.grindhog.com



Grind HogTM

RETROFIT

CHICAGO PUMP 10C
IN ORIGINAL BASIN



GRIND HOGTM 10L
IN NEW INFLUENT
STRUCTURE



G.E.T. INDUSTRIES INC.

Toll Free: 877-213-7418

Email: get@grindhog.com Web: www.grindhog.com



Grind Hog™

**RETROFITTING
CHICAGO PUMP 10C**

**McFARLANE LAKE
SEWAGE
TREATMENT
PLANT**

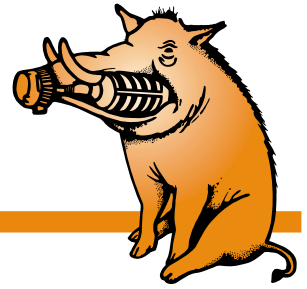


GRIND HOG™ 10L
Dimensionally Suited to Existing Basin



GRIND HOG™ 10L

RETROFITTING CHICAGO PUMP 10C

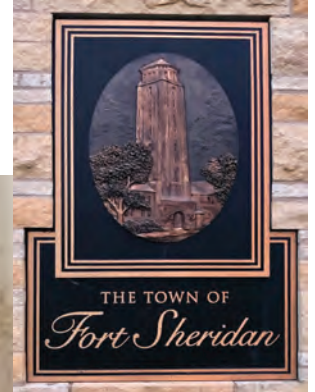


Previous Chicago Pump 10C and Existing Basin





BUILDING 301 PUMP STATION
Highwood, Illinois



CHICAGO PUMP 10C
Original Grinder & Basin



GRIND HOG™ 10LSX
ABB / BALDOR SUB XP MOTOR

Existing Anchor Bolts Removed



New Anchor Bolts Installed



Grind Hog 10LSX Installed



G.E.T. INDUSTRIES INC.

Toll Free: 877-213-7418

Email: get@grindhog.com Web: www.grindhog.com